

Dräger DrugTest® 5000

Point of collection test system for detecting drugs of abuse

No pipetting, no drips, no timing:
Collecting an oral fluid sample is quick and easy with the Dräger DrugTest® 5000. The collected sample can then be analysed immediately for accurate results on the spot.



ST-2417-2008

SAMPLING AND ANALYSIS IN ONE SYSTEM

The drug analysis system Dräger DrugTest 5000 consists of the sampling system Dräger DrugTest 5000 Test Kit and of the analyzer Dräger DrugTest 5000 Analyzer. This provides you with anything you need for a first assessment on the spot.

EASY AND FAST SALIVA SAMPLE COLLECTION

Ready for immediate use, if necessary
The Dräger DrugTest 5000 test kit provides you with a ready-for-use sampling system. You want to check a suspect person? Just remove the cover and hand the test cassette over to the test person.

Hygienic and painless:

Collection without blood samples

The test person moves the top part of the collector briefly back and forth between his cheek and gums until the integrated indicator signals that enough of a sample has been collected. This usually takes less than a minute and never more than four minutes. The test person returns the cassette to you – and you will not come in contact with the saliva sample.

Blue means sample collection finished

The Dräger DrugTest 5000 automatically indicates the end of the sample collection process: If the collector has collected enough saliva, the indicator becomes blue and the sample collection process is finished. Afterwards you insert the test cassette and cartridge directly into the Dräger DrugTest 5000 Analyzer for evaluation.

OTHER ADVANTAGES OF THE DRÄGER DRUGTEST® 5000 TEST KIT:

- high degree of conformity with blood samples and the detection limits valid in Germany (confirmed by a field test by the German Police University)
- extremely low detection limit for THC as the main active ingredient of cannabis
- clear results display
- hygienic sampling and analysis
- high level of acceptance among users and test persons
- easy to use even with safety gloves
- different configurations available (depending on model, several substances can be detected at the same time)
- can be used at temperatures between 4 °C and 40 °C
- can be stored in original package without any deterioration at up to 30 °C



D-54724-2012

Dräger DrugTest® 5000 analyzer –
take a sample and analyse it immediately



D-31774-2011

Dräger DrugTest® 5000 Test-Kit:
uncomplicated, fast, reliable and secure drug tests

DRÄGER DRUGTEST® 5000 ANALYZER



IMMEDIATE EVALUATION OF SAMPLES

Insert test cassette and cartridge, start evaluation, ready

The saliva sample can be evaluated immediately after sample collection. Just insert test cassette and cartridge into the analyzer – the evaluation will start immediately.

Easy and safe operation – even under adverse conditions

Even when it becomes hectic: you control the analyzer with only three keys. The operation is menu-driven. Just follow the plain text instructions.

Quick and comfortable: results in just a few minutes

Once the device is put into operation, the analysis will run automatically. This keeps your mind clear and your hands free for attending to your test persons. After only a few minutes, the result will be displayed.

Easy-to-read colour display

The colour display is illuminated. Thus, you stay on top of the situation even under reduced visibility conditions. You can read the display text without any problems even from some distance or from an angle.

Clear measuring results without interpretation

The Dräger Drugtest 5000 Analyzer also displays the measuring results in clear text. Therefore, misinterpretations do not occur.



D-526069-2012

Dräger DrugTest 5000® Analyzer and Dräger Mobile Printer with Test Kit and Carrying Case (12 V car power adapter included)



ST-84/04-2006

Dräger Mobile Printer



ST-34/61-2003

Compact keyboard



ST-132/11-2007

Transport case

Evaluating samples wherever the situation demands

Whether you use the sampling system with the 230 V power supply or the 12 V car adapter included, the permanently integrated, rechargeable battery makes you independent of any external power source and the analyzer is ready to use anytime and anywhere.

Storing 500 measuring results and managing them easily

It stores the last 500 measuring results including date and time. You can enter further measurement details via keyboard or barcode reader. You can print the results with the Dräger Mobile Printer directly on the spot. To document the data, you can transmit them on the PC via USB.

4.5 kg lightweight for transportation

The analyzer is easy to carry. For transporting the device and its accessories easily and safely, Dräger provides a matching carrying bag or a robust transport case.

OTHER ADVANTAGES OF THE DRÄGER DRUGTEST® 5000 ANALYZER:

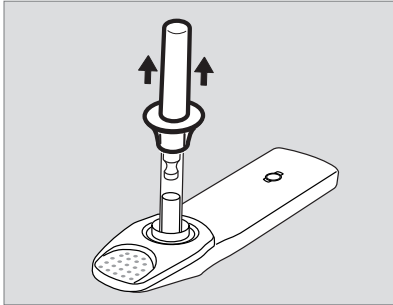
- integrated self-test function:
 - no semi-annual calibration necessary
- a variety of accessories (e. g. carrying bag, battery charger or compact keyboard)

THE SYSTEM DETECTS A VARIETY OF SUBSTANCES SUCH AS:

- Amphetamines
- Benzodiazepines
- Delta-9-tetrahydrocannabinol (THC)
- Cocaine
- Methamphetamines
- Opiates
- Methadone

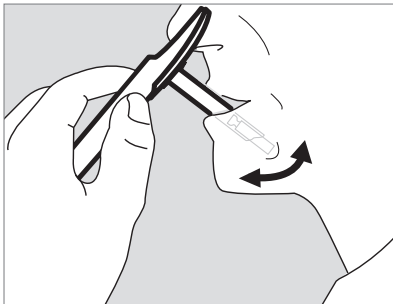
DRÄGER DRUGTEST® 5000

ST-319-2008



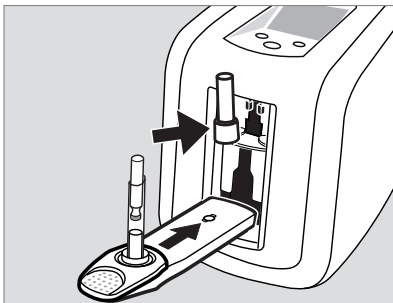
- Remove the cover
- Pass test cassette on to test subject

D-4780-2011



- Test subject moves the collector back and forth in his mouth until the indicator becomes blue

D-4779-2011



- Insert test cassette and cartridge into the analyzer. Close the door. The analysis will start automatically
- After a few minutes, the result will be displayed

DRÄGER DRUGTEST® 5000 TEST KITS



**Dräger SSK 5000:
Detecting drugs on surfaces or in
substances**

You want to know on the spot whether drug traces are detectable on a steering wheel or if the contents of a suspicious bag contain drugs? Easily answer such questions by taking a sample with the Dräger SSK 5000 drug sampler and transferring the specimen to the Dräger DrugTest 5000 Test Kit. Then you can analyse the sample with the Dräger DrugTest 5000 Analyzer.

TECHNICAL DATA

Operating voltage	12 V direct voltage (via supplied power pack)
Power input	normally 3 A
Dimensions (W*H*D)	200 * 260 * 250 mm
Weight	4.5 kg
Operating range	Operation: 4 °C to 40 °C Storage / transportation: -20 °C to +60 °C relative humidity 5 to 95 % (non-condensing)
Ports	optical for printer, PS/2, USB Slave
Time of measurement	depending on used test kit (typically < 9 minutes) optional: Analysis in < 5 minutes by increasing the THC cut-off to 25 ng/ml (after updating the device software)
Storage capacity	500 records or measurements

ORDERING INFORMATION

	Packaging unit	Order No.
Dräger DrugTest 5000 Analyzer	1 analyzer incl. power pack	83 19 900
Dräger DrugTest 5000 Test Kit COC-OPI-BENZO-THC-AMP-MAMP*	20 pieces	83 19 830
Dräger DrugTest 5000 Test-Kit COC-OPI-THC-AMP-MAMP*	20 pieces	83 21 280
Dräger DrugTest 5000 Test-Kit COC-OPI*	20 pieces	83 19 990
Dräger DrugTest 5000 Test-Kit COC-OPI-BENZO-THC-AMP-MAMP-MTD*	20 pieces	83 23 156
Dräger SSK 5000	20 pieces	83 20 490
Compact keyboard, German keyboard layout ("QWERTZ")	1	83 15 095
Compact keyboard, English keyboard layout ("QWERTY")	1	83 15 497
Compact keyboard, French keyboard layout ("AZERTY")	1	83 15 142
Barcode reader	1	AG 02 491
Dräger Mobile Printer	1	83 19 310
Carrying case for DrugTest 5000 Analyzer and accessories	1	83 22 675
Carrying case for DrugTest 5000 Analyzer	1	83 19 925

*COC: cocaine – *OPI: opiates – *BENZO: benzodiazepines – *THC: cannabis – *AMP: amphetamine – *MAMP: methamphetamines – *MTD: methadone

Distributor of Dräger
"Concern - Energomash" CJSC
Azatutyan avenue 26/8, Yerevan 0014, Armenia
Tel.: 20 97 77, 20 97 75, 20 97 74
E-mail: info@c-e.am
www.analytica.am, www.c-e.am